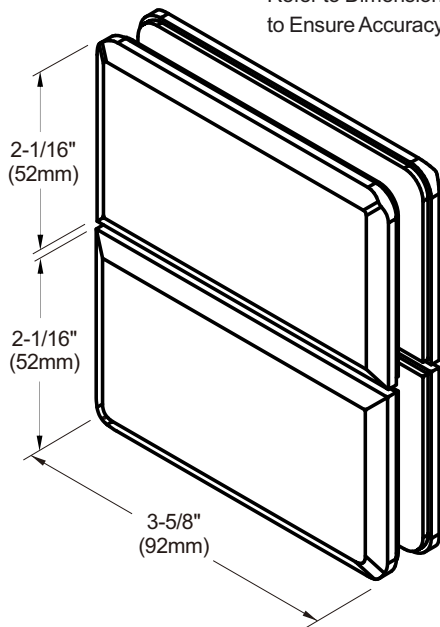


**\*SEE TEMPLATE ON BACK\***

Refer to Dimensions Shown  
to Ensure Accuracy



## Kara

Code NO. **KPH2**

Glass to Glass Hinge

### Important Information:

This hinge contains a dual degree pivot pin. The pivot pin is set for normal door closing position. You have the option of altering the closing position of the door 5 degrees inward by utilizing the opposite side of the pivot pin, which has been pre-machined. Special order custom pivot pins are available that can be machined at any angle up to 45 degrees.

### Specifications:

**Glass Sizes:** 5/16" (8mm) to 3/8" (10mm) thick tempered safety glass

**Construction:** Solid brass

**Closing Type:** Self-centering when within 15° of closed position

Cutout Required

**Includes:** Gaskets, screws and template

### Maximum Door Capacities for Two Hinges or Three Hinges:

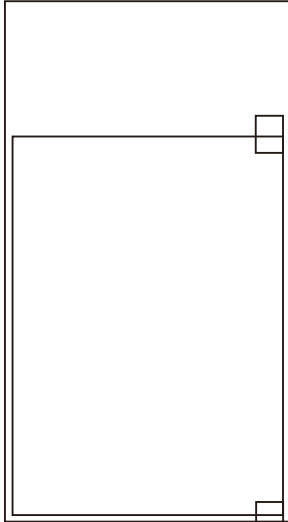
**Maximum Door Weight:** 100 lbs.(46kg)

**Maximum Door Width:** 31"(787mm)

### Use of Gaskets:

**For 5/16" (8mm) Glass:** Use one thick gasket on each side

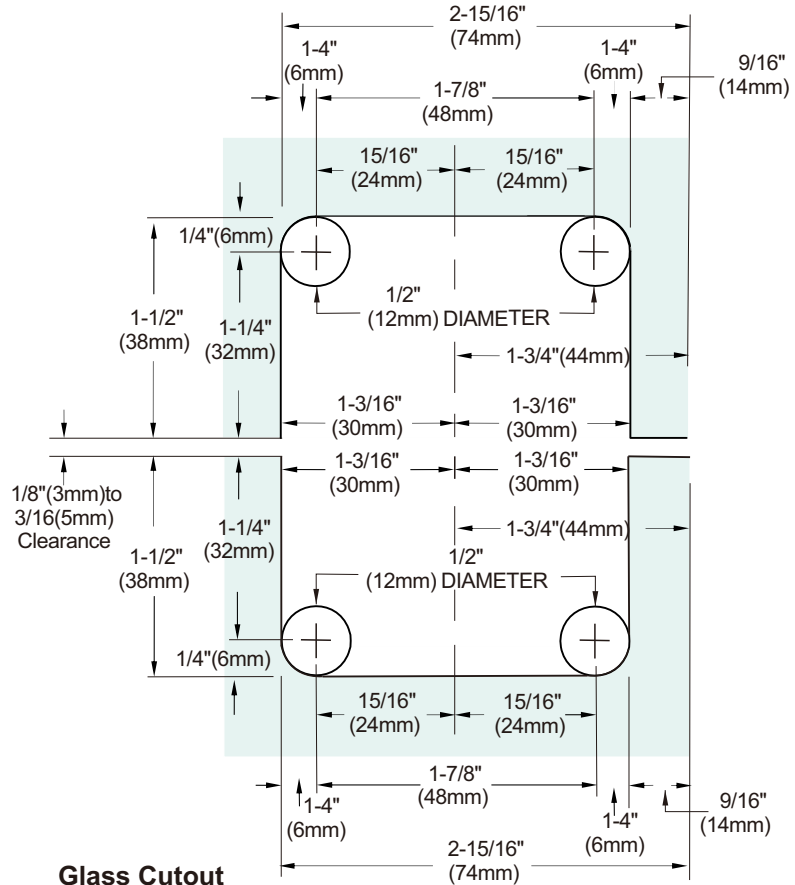
**For 3/8" (10mm) Glass:** Use one thick gasket on each side



**Kara**

Code NO. **KPH2**

Glass to Glass Hinge



**Glass Cutout**

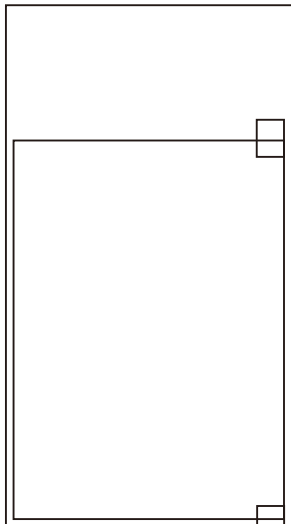
**IMPORTANT: Project measurements from the edge of the glass.**

**Contact information:** +1 (470) 461 7492 / +86 138 2234 0936

**Email:** info@sg-storeline.com

**www.sg-storeline.com**

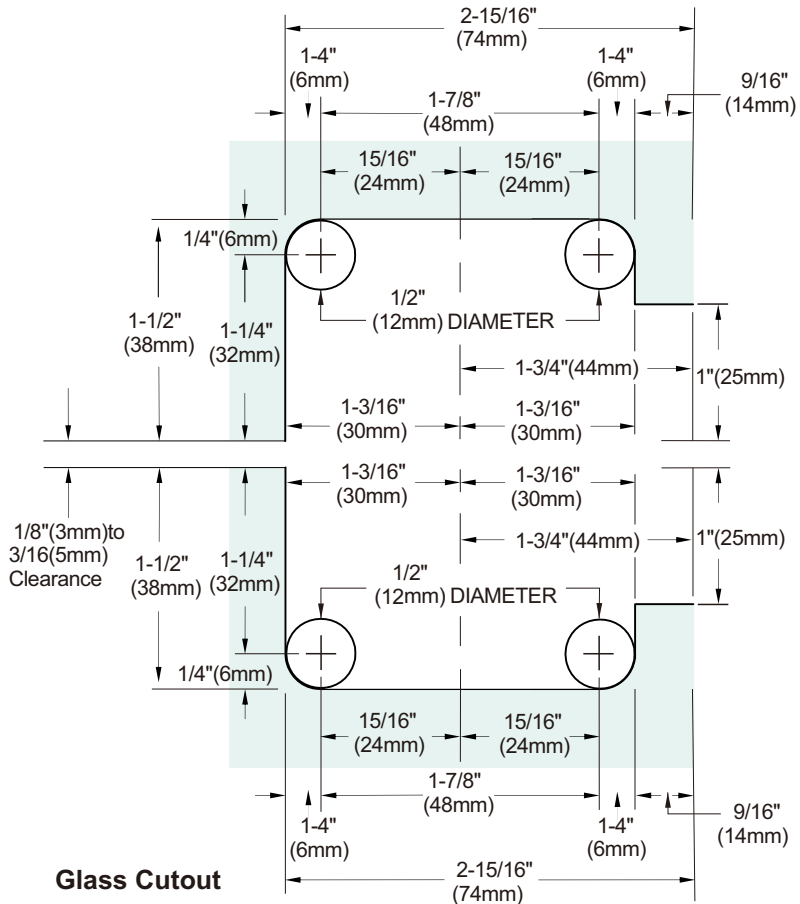




## Kara

Code NO. **KPH2**

Glass to Glass Hinge



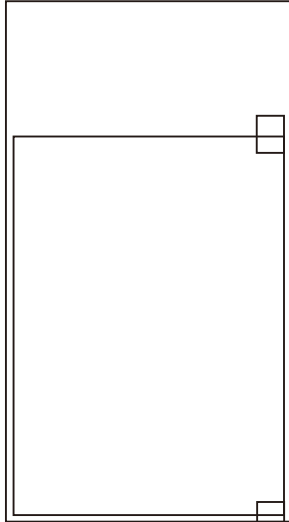
**IMPORTANT: Project measurements from the edge of the glass.**

**Contact information:** +1 (470) 461 7492 / +86 138 2234 0936

**Email:** info@sg-storeline.com

**www.sg-storeline.com**

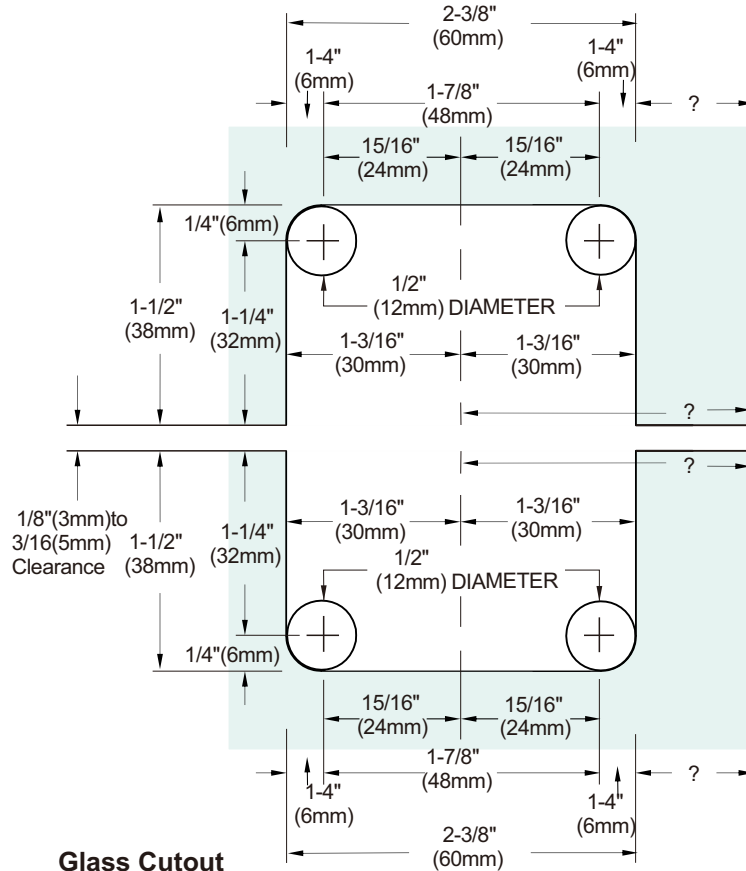




## Kara

Code NO. **KPH2**

Glass to Glass Hinge



## Glass Cutout

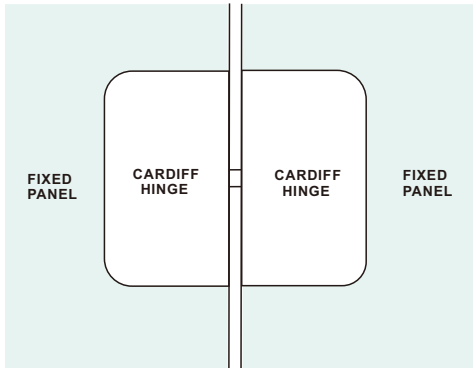
**IMPORTANT: Project measurements from the edge of the glass.**

**Contact information:** +1 (470) 461 7492 / +86 138 2234 0936

**Email:** info@sg-storeline.com

**www.sg-storeline.com**

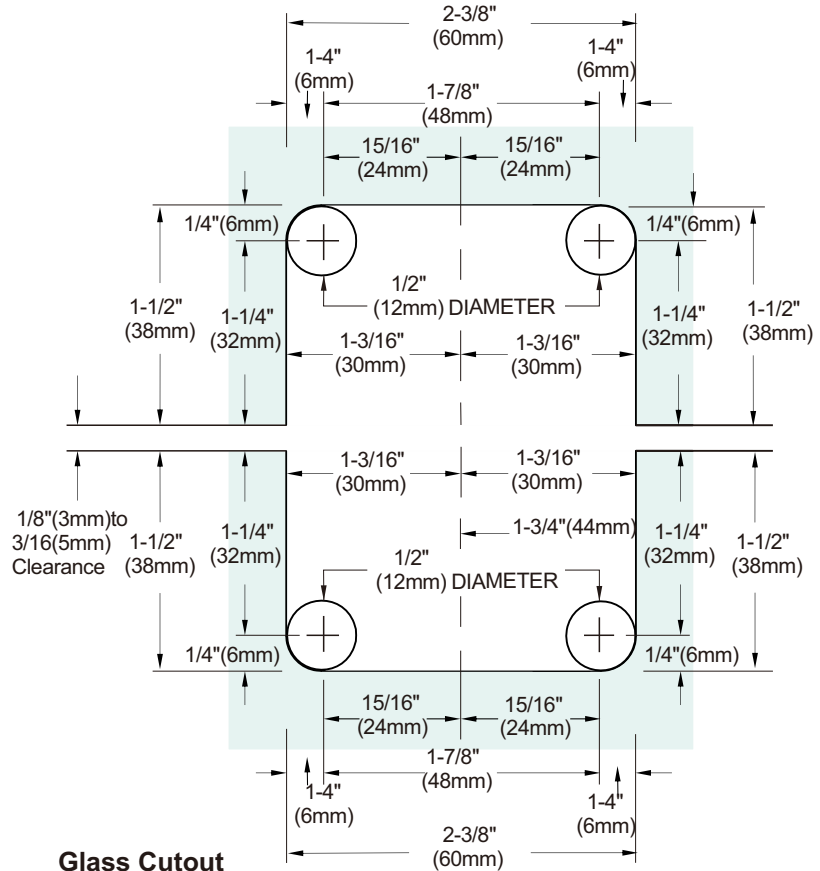




## Kara

Code NO. **KPH2**

Glass to Glass Hinge



**IMPORTANT: Project measurements from the edge of the glass.**

**Contact information:** +1 (470) 461 7492 / +86 138 2234 0936

**Email:** info@sg-storeline.com

**www.sg-storeline.com**

