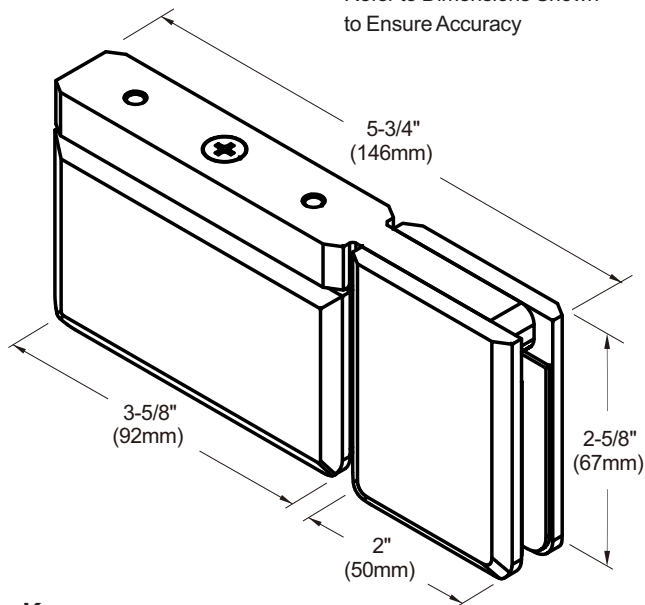


SEE TEMPLATE ON BACK
Refer to Dimensions Shown
to Ensure Accuracy



Kara
Code NO. **KPH180**
Hinge with U-Clamp

Important Information:

This hinge contains a dual degree pivot pin. The pivot pin is set for normal door closing position. You have the option of altering the closing position of the door 5 degrees inward by utilizing the opposite side of the pivot pin, which has been pre-machined. Special order custom pivot pins are available that can be machined at any angle up to 45 degrees.

Specifications:

Glass Sizes: 5/16" (8mm) to 3/8" (10mm) thick tempered safety glass
Construction: Solid brass
Closing Type: Self-centering when within 15° of closed position
Cutout Required
Includes: Gaskets, screws and template

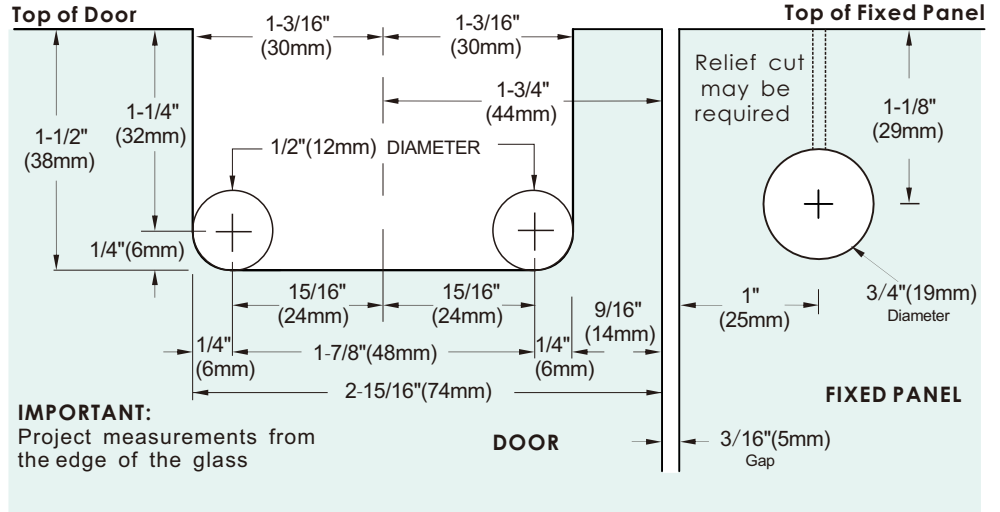
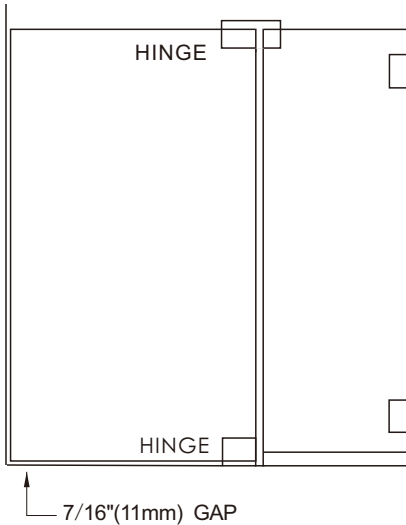
Maximum Door Capacities for Two Hinges or Three Hinges:

Maximum Door Weight: 100 lbs.(46kg)
Maximum Door Width: 31"(787mm)

Use of Gaskets:

For 5/16" (8mm) Glass: Use one thick gasket on each side
For 3/8" (10mm) Glass: Use one thick gasket on each side

TYPICAL INSTALLATION



Glass Cutout

IMPORTANT: Project measurements from the edge of the glass.

Kara

Code NO. **KPH180**

Hinge with U-Clamp

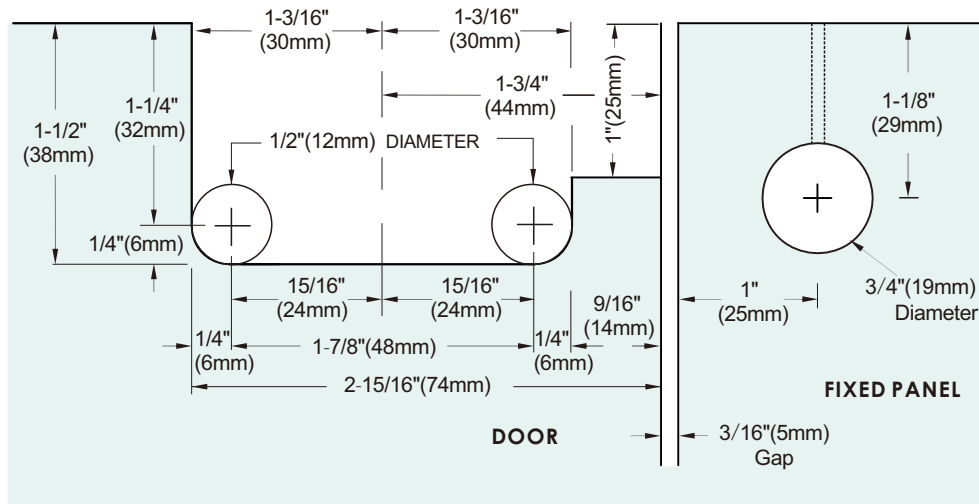
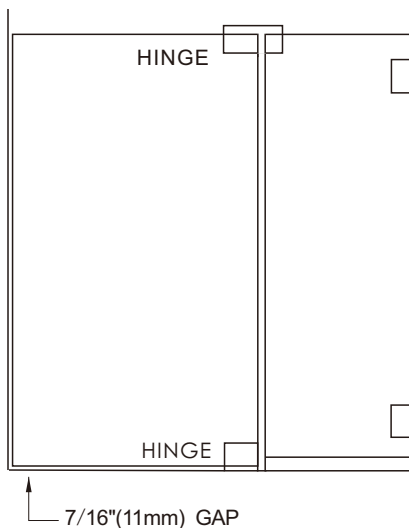
Contact information: +1 (470) 461 7492 / +86 138 2234 0936

Email: info@sg-storeline.com

www.sg-storeline.com



TYPICAL INSTALLATION



Glass Cutout

IMPORTANT: Project measurements from the edge of the glass.

Kara

Code NO. **KPH180**

Hinge with U-Clamp

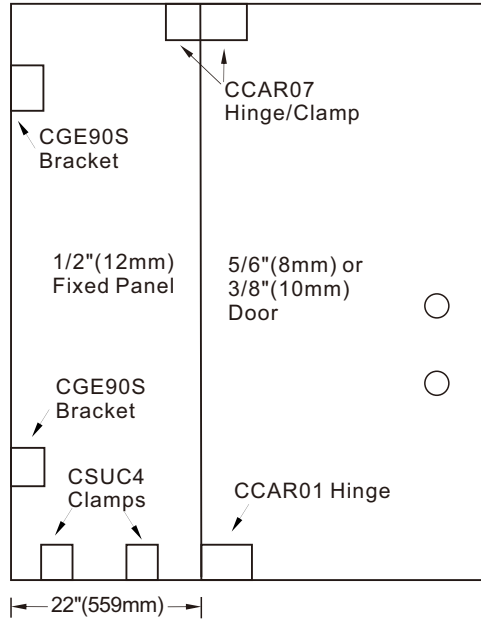
Contact information: +1 (470) 461 7492 / +86 138 2234 0936

Email: info@sg-storeline.com

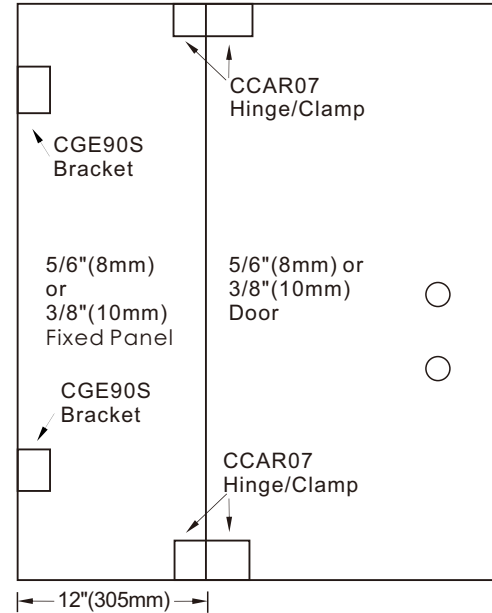
www.sg-storeline.com



TYPICAL MOUNTING EXAMPLES



Typical Installation
Showing 22" Wide (559 mm)
1/2" (12 mm) Thick Fixed Panel
CCAR01 Hinge Used at Bottom of Door



Typical Installation
Showing 22" Wide (305 mm)
5/16" or 3/8" (8 or 10 mm) Thick Fixed Panel
CCAR07 Used at Top and Bottom of Door

Kara
Code NO. **KPH180**
Hinge with U-Clamp

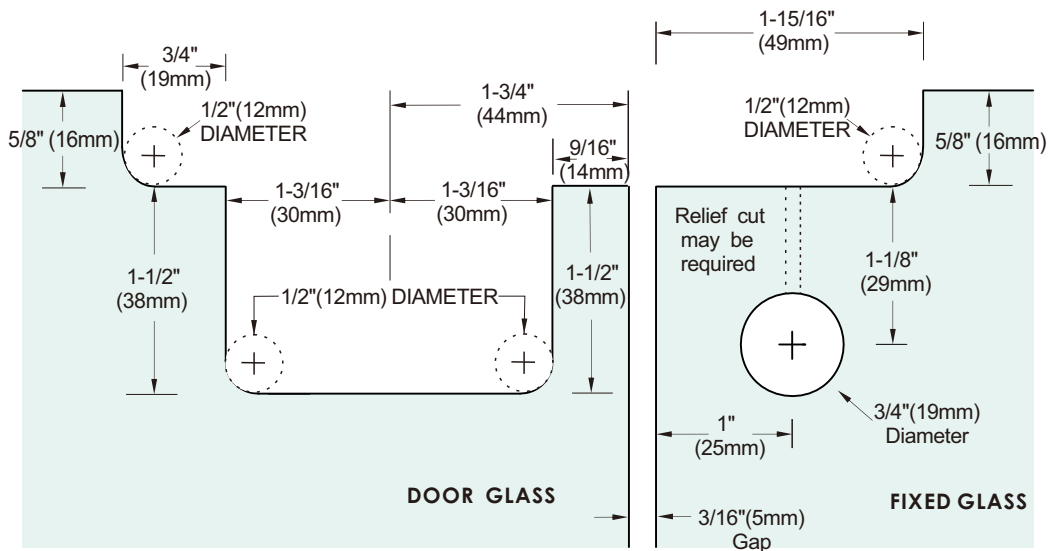
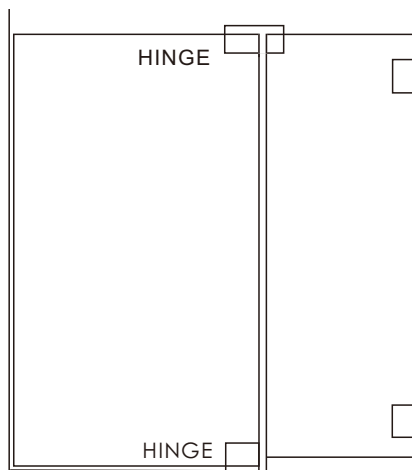
IMPORTANT: Project measurements from the edge of the glass.

Contact information: +1 (470) 461 7492 / +86 138 2234 0936

Email: info@sg-storeline.com **www.sg-storeline.com**



TYPICAL INSTALLATION



Glass Cutout

IMPORTANT: Project measurements from the edge of the glass.

Kara

Code NO. **KPH180**

Hinge with U-Clamp

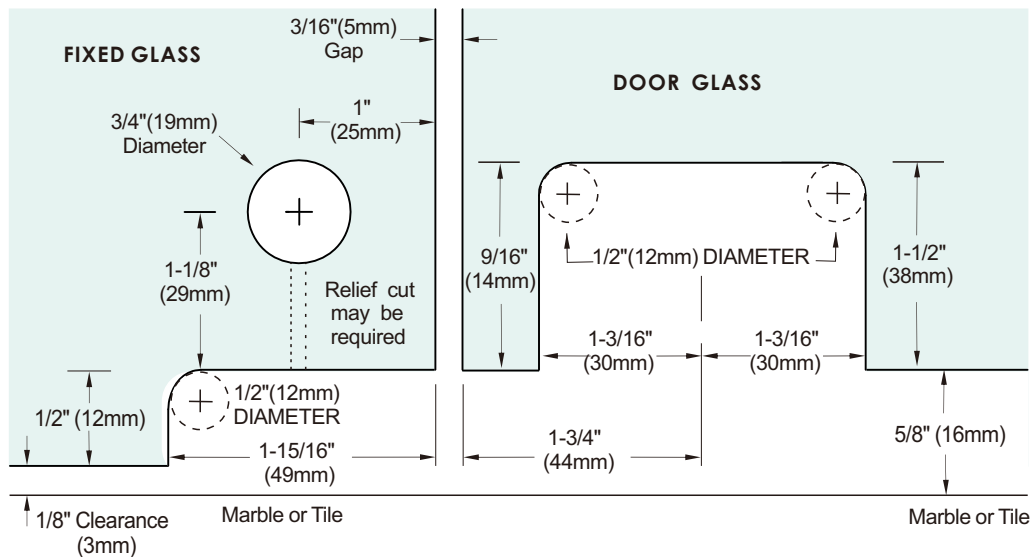
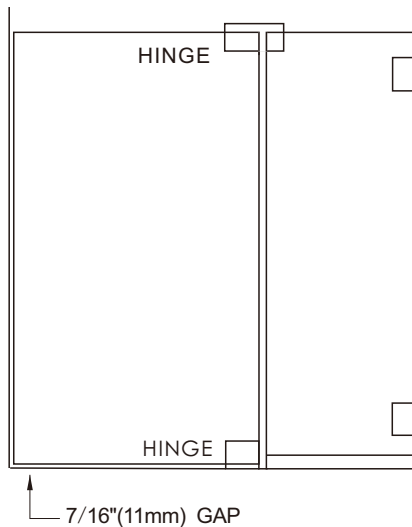
Contact information: +1 (470) 461 7492 / +86 138 2234 0936

Email: info@sg-storeline.com

www.sg-storeline.com



TYPICAL INSTALLATION



Glass Cutout

IMPORTANT: Project measurements from the edge of the glass.

Kara

Code NO. **KPH180**

Hinge with U-Clamp

Contact information: +1 (470) 461 7492 / +86 138 2234 0936

Email: info@sg-storeline.com

www.sg-storeline.com

